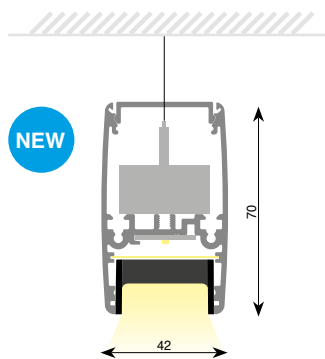


Ready To Go LEDliner40

UGR<19
Down - Suspended



Average weight of equipped profile: 2.8 kg/m



Included

- Profile
- End Caps
- LED Modules
- UGR Grid Down
- Suspension cables (2000mm)
- Connecting box
- Textile power cable (2000mm)



Article number	Total length	Connected profile lengths excl. end caps	LED Flux* 927	LED Flux* 830 & 930	LED Flux* 840 & 940	LED Flux* Tunable White 2700-6500K	Power** 830 & 840	Power** 927, 930 & 940
R40SU.DM.CCC.xx-05.G	740 mm	-	n.a.***	3120lm	3300lm	n.a.***	15.0W	15.5W
R40SU.DM.CCC.xx-06.G	879 mm	-	3015lm	3120lm	3300lm	3300lm	18.0W	18.6W
R40SU.DM.CCC.xx-07.G	1021 mm	-	n.a.***	3640lm	3850lm	n.a.***	21.0W	21.7W
R40SU.DM.CCC.xx-08.G	1159 mm	-	4020lm	4160lm	4400lm	4400lm	24.0W	24.8W
R40SU.DM.CCC.xx-09.G	1301 mm	-	n.a.***	4680lm	4950lm	n.a.***	27.0W	27.9W
R40SU.DM.CCC.xx-10.G	1441 mm	-	5025lm	5200lm	5500lm	5500lm	30.0W	31.0W
R40SU.DM.CCC.xx-11.G	1583 mm	-	n.a.***	5720lm	6050lm	n.a.***	33.0W	34.1W
R40SU.DM.CCC.xx-12.G	1721 mm	-	6030lm	6240lm	6600lm	6600lm	36.0W	37.2W
R40SU.DM.CCC.xx-13.G	1863 mm	-	n.a.***	6760lm	7150lm	n.a.***	39.0W	40.3W
R40SU.DM.CCC.xx-14.G	2002 mm	-	7035lm	7280lm	7700lm	7700lm	42.0W	43.4W
R40SU.DM.CCC.xx-15.G	2144 mm	-	n.a.***	7800lm	8250lm	n.a.***	45.0W	46.5W
R40SU.DM.CCC.xx-16.G	2282 mm	-	8040lm	8320lm	8800lm	8800lm	48.0W	49.6W
R40SU.DM.CCC.xx-17.G	2424 mm	-	n.a.***	8840lm	9350lm	n.a.***	51.0W	52.7W
R40SU.DM.CCC.xx-18.G	2564 mm	-	9045lm	9360lm	9900lm	9900lm	54.0W	55.8W
R40SU.DM.CCC.xx-19.G	2706 mm	-	n.a.***	9880lm	10450lm	n.a.***	57.0W	58.9W
R40SU.DM.CCC.xx-20.G	2844 mm	-	10050lm	10400lm	11000lm	11000lm	60.0W	62.0W
R40SU.DM.CCC.xx-21.G	2986 mm	-	n.a.***	10920lm	11550lm	n.a.***	63.0W	65.1W
R40SU.DM.CCC.xx-22.G	3125 mm	-	11055lm	11440lm	12100lm	12100lm	66.0W	68.2W
R40SU.DM.CCC.xx-23.G	3267 mm	-	n.a.***	11960lm	12650lm	n.a.***	69.0W	71.3W
R40SU.DM.CCC.xx-24.G	3405 mm	-	12060lm	12480lm	13200lm	13200lm	72.0W	74.4W
R40SU.DM.CCC.xx-25.G	3548 mm	1701+1843 mm	n.a.***	13000lm	13750lm	n.a.***	75.0W	77.5W
R40SU.DM.CCC.xx-26.G	3687 mm	1701+1982 mm	13065lm	13520lm	14300lm	14300lm	78.0W	80.6W
R40SU.DM.CCC.xx-27.G	3829 mm	1843+1982 mm	n.a.***	14040lm	14850lm	n.a.***	81.0W	83.7W
R40SU.DM.CCC.xx-28.G	3968 mm	1982+1982 mm	14070lm	14560lm	15400lm	15400lm	84.0W	86.8W
R40SU.DM.CCC.xx-29.G	4110 mm	1982+2125 mm	n.a.***	15080lm	15950lm	n.a.***	87.0W	89.9W
R40SU.DM.CCC.xx-30.G	4248 mm	1982+2262 mm	15075lm	15600lm	16500lm	16500lm	90.0W	93.0W
R40SU.DM.CCC.xx-31.G	4390 mm	2125+2262 mm	n.a.***	16120lm	17050lm	n.a.***	93.0W	96.1W
R40SU.DM.CCC.xx-32.G	4528 mm	2262+2262 mm	16080lm	16640lm	17600lm	17600lm	96.0W	99.2W
R40SU.DM.CCC.xx-33.G	4670 mm	2262+2405 mm	n.a.***	17160lm	18150lm	n.a.***	99.0W	102.3W
R40SU.DM.CCC.xx-34.G	4810 mm	2262+2544 mm	17085lm	17680lm	18700lm	18700lm	102.0W	105.4W
R40SU.DM.CCC.xx-35.G	4952 mm	2405+2544 mm	n.a.***	18200lm	19250lm	n.a.***	105.0W	108.5W
R40SU.DM.CCC.xx-36.G	5091 mm	2544+2544 mm	18090lm	18720lm	19800lm	19800lm	108.0W	111.6W
R40SU.DM.CCC.xx-37.G	5233 mm	2544+2686 mm	n.a.***	19240lm	20350lm	n.a.***	111.0W	114.7W
R40SU.DM.CCC.xx-38.G	5371 mm	2544+2824 mm	19095lm	19760lm	20900lm	20900lm	114.0W	117.8W
R40SU.DM.CCC.xx-39.G	5513 mm	2544+2966 mm	n.a.***	20280lm	21450lm	n.a.***	117.0W	120.9W
R40SU.DM.CCC.xx-40.G	5653 mm	2544+3105 mm	20100lm	20800lm	22000lm	22000lm	120.0W	124.0W
R40SU.DM.CCC.xx-41.G	5795 mm	2544+3248 mm	n.a.***	21320lm	22550lm	n.a.***	123.0W	127.1W
R40SU.DM.CCC.xx-42.G	5933 mm	2824+3105 mm	21105lm	21840lm	23100lm	23100lm	126.0W	130.2W
R40SU.DM.CCC.xx-43.G	6075 mm	2966+3105 mm	n.a.***	22360lm	23650lm	n.a.***	129.0W	133.3W
R40SU.DM.CCC.xx-44.G	6214 mm	3105+3105 mm	22110lm	22880lm	24200lm	24200lm	132.0W	136.4W
R40SU.DM.CCC.xx-45.G	6356 mm	3105+3248 mm	n.a.***	23400lm	24750lm	n.a.***	135.0W	139.5W
R40SU.DM.CCC.xx-46.G	6494 mm	3105+3385 mm	23115lm	23920lm	25300lm	25300lm	138.0W	142.6W
R40SU.DM.CCC.xx-47.G	6636 mm	3248+3385 mm	n.a.***	24440lm	25850lm	n.a.***	141.0W	145.7W
R40SU.DM.CCC.xx-48.G	6774 mm	3385+3385 mm	24120lm	24960lm	26400lm	26400lm	144.0W	148.8W

* Luminous flux mentioned is the flux of the LED modules. To know the luminous flux of the luminaire, please apply the light output ratios on page 337 or check www.doxis.be.

** Power mentioned is for LED module excl. driver. For Tunable White power consumption please check www.doxis.be. For more detailed information, please check www.doxis.be.

*** Not available. Our supplier, Philips, does not provide 140mm LED modules in 2700K and Tunable White.

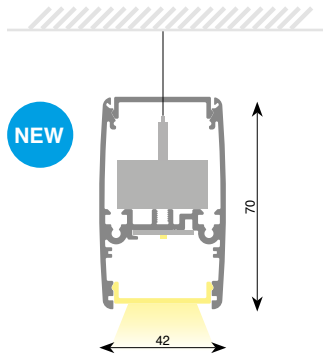
Article number structure: **R40SU.DM.CCC.xx-00**

- 24: Non dimmable
- 25: 1-10V dimmable
- 26: Touch & DALI dim

- 830: Ra80 - 3000K
- 840: Ra80 - 4000K
- 927: Ra90 - 2700K (available in limited lengths)
- 930: Ra90 - 3000K
- 940: Ra90 - 4000K
- TW: Tunable white 2700K-6500K (available in limited lengths)

- 01: White Matt Texture
 - 03: Black Matt Texture
 - 18: Grey 9006 Matt Texture
 - 07: Anthracite Matt Texture
 - 25: Smoked Brown Matt Texture
 - 16: Gold
- Other colors on request (see page 333)

Ready To Go LEDliner40 Opal Cover Down - Suspended

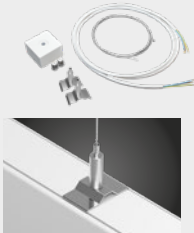


Average weight of equipped profile: 2.8 kg/m



Included

- Profile
- End Caps
- LED Modules
- PC Covers Down
- Suspension cables (2000mm)
- Connecting box
- Textile power cable (2000mm)



Article number	Total length	Connected profile lengths excl. end caps	LED Flux* 927	LED Flux* 830 & 930	LED Flux* 840 & 940	LED Flux* Tunable White 2700-6500K	Power** 830 & 840	Power** 927, 930 & 940
R40SU.DM.CCC.xx-05	740 mm	-	n.a.***	3120lm	3300lm	n.a.***	15.0W	15.5W
R40SU.DM.CCC.xx-06	879 mm	-	3015lm	3120lm	3300lm	3300lm	18.0W	18.6W
R40SU.DM.CCC.xx-07	1021 mm	-	n.a.***	3640lm	3850lm	n.a.***	21.0W	21.7W
R40SU.DM.CCC.xx-08	1159 mm	-	4020lm	4160lm	4400lm	4400lm	24.0W	24.8W
R40SU.DM.CCC.xx-09	1301 mm	-	n.a.***	4680lm	4950lm	n.a.***	27.0W	27.9W
R40SU.DM.CCC.xx-10	1441 mm	-	5025lm	5200lm	5500lm	5500lm	30.0W	31.0W
R40SU.DM.CCC.xx-11	1583 mm	-	n.a.***	5720lm	6050lm	n.a.***	33.0W	34.1W
R40SU.DM.CCC.xx-12	1721 mm	-	6030lm	6240lm	6600lm	6600lm	36.0W	37.2W
R40SU.DM.CCC.xx-13	1863 mm	-	n.a.***	6760lm	7150lm	n.a.***	39.0W	40.3W
R40SU.DM.CCC.xx-14	2002 mm	-	7035lm	7280lm	7700lm	7700lm	42.0W	43.4W
R40SU.DM.CCC.xx-15	2144 mm	-	n.a.***	7800lm	8250lm	n.a.***	45.0W	46.5W
R40SU.DM.CCC.xx-16	2282 mm	-	8040lm	8320lm	8800lm	8800lm	48.0W	49.6W
R40SU.DM.CCC.xx-17	2424 mm	-	n.a.***	8840lm	9350lm	n.a.***	51.0W	52.7W
R40SU.DM.CCC.xx-18	2564 mm	-	9045lm	9360lm	9900lm	9900lm	54.0W	55.8W
R40SU.DM.CCC.xx-19	2706 mm	-	n.a.***	9880lm	10450lm	n.a.***	57.0W	58.9W
R40SU.DM.CCC.xx-20	2844 mm	-	10050lm	10400lm	11000lm	11000lm	60.0W	62.0W
R40SU.DM.CCC.xx-21	2986 mm	-	n.a.***	10920lm	11550lm	n.a.***	63.0W	65.1W
R40SU.DM.CCC.xx-22	3125 mm	-	11055lm	11440lm	12100lm	12100lm	66.0W	68.2W
R40SU.DM.CCC.xx-23	3267 mm	-	n.a.***	11960lm	12650lm	n.a.***	69.0W	71.3W
R40SU.DM.CCC.xx-24	3405 mm	-	12060lm	12480lm	13200lm	13200lm	72.0W	74.4W
R40SU.DM.CCC.xx-25	3548 mm	1701+1843 mm	n.a.***	13000lm	13750lm	n.a.***	75.0W	77.5W
R40SU.DM.CCC.xx-26	3687 mm	1701+1982 mm	13065lm	13520lm	14300lm	14300lm	78.0W	80.6W
R40SU.DM.CCC.xx-27	3829 mm	1843+1982 mm	n.a.***	14040lm	14850lm	n.a.***	81.0W	83.7W
R40SU.DM.CCC.xx-28	3968 mm	1982+1982 mm	14070lm	14560lm	15400lm	15400lm	84.0W	86.8W
R40SU.DM.CCC.xx-29	4110 mm	1982+2125 mm	n.a.***	15080lm	15950lm	n.a.***	87.0W	89.9W
R40SU.DM.CCC.xx-30	4248 mm	1982+2262 mm	15075lm	15600lm	16500lm	16500lm	90.0W	93.0W
R40SU.DM.CCC.xx-31	4390 mm	2125+2262 mm	n.a.***	16120lm	17050lm	n.a.***	93.0W	96.1W
R40SU.DM.CCC.xx-32	4528 mm	2262+2262 mm	16080lm	16640lm	17600lm	17600lm	96.0W	99.2W
R40SU.DM.CCC.xx-33	4670 mm	2262+2405 mm	n.a.***	17160lm	18150lm	n.a.***	99.0W	102.3W
R40SU.DM.CCC.xx-34	4810 mm	2262+2544 mm	17085lm	17680lm	18700lm	18700lm	102.0W	105.4W
R40SU.DM.CCC.xx-35	4952 mm	2405+2544 mm	n.a.***	18200lm	19250lm	n.a.***	105.0W	108.5W
R40SU.DM.CCC.xx-36	5091 mm	2544+2544 mm	18090lm	18720lm	19800lm	19800lm	108.0W	111.6W
R40SU.DM.CCC.xx-37	5233 mm	2544+2686 mm	n.a.***	19240lm	20350lm	n.a.***	111.0W	114.7W
R40SU.DM.CCC.xx-38	5371 mm	2544+2824 mm	19095lm	19760lm	20900lm	20900lm	114.0W	117.8W
R40SU.DM.CCC.xx-39	5513 mm	2544+2966 mm	n.a.***	20280lm	21450lm	n.a.***	117.0W	120.9W
R40SU.DM.CCC.xx-40	5653 mm	2544+3105 mm	20100lm	20800lm	22000lm	22000lm	120.0W	124.0W
R40SU.DM.CCC.xx-41	5795 mm	2544+3248 mm	n.a.***	21320lm	22550lm	n.a.***	123.0W	127.1W
R40SU.DM.CCC.xx-42	5933 mm	2824+3105 mm	21105lm	21840lm	23100lm	23100lm	126.0W	130.2W
R40SU.DM.CCC.xx-43	6075 mm	2966+3105 mm	n.a.***	22360lm	23650lm	n.a.***	129.0W	133.3W
R40SU.DM.CCC.xx-44	6214 mm	3105+3105 mm	22110lm	22880lm	24200lm	24200lm	132.0W	136.4W
R40SU.DM.CCC.xx-45	6356 mm	3105+3248 mm	n.a.***	23400lm	24750lm	n.a.***	135.0W	139.5W
R40SU.DM.CCC.xx-46	6494 mm	3105+3385 mm	23115lm	23920lm	25300lm	25300lm	138.0W	142.6W
R40SU.DM.CCC.xx-47	6636 mm	3248+3385 mm	n.a.***	24440lm	25850lm	n.a.***	141.0W	145.7W
R40SU.DM.CCC.xx-48	6774 mm	3385+3385 mm	24120lm	24960lm	26400lm	26400lm	144.0W	148.8W

* Luminous flux mentioned is the flux of the LED modules. To know the luminous flux of the luminaire, please apply the light output ratios on page 337 or check www.doxis.be.

** Power mentioned is for LED module excl. driver. For Tunable White power consumption please check www.doxis.be. For more detailed information, please check www.doxis.be.

*** Not available. Our supplier, Philips, does not provide 140mm LED modules in 2700K and Tunable White.

Article number structure: **R40SU.DM.CCC.xx-00**

- 24: Non dimmable
- 25: 1-10V dimmable
- 26: Touch & DALI dim

- 830: Ra80 - 3000K
- 840: Ra80 - 4000K
- 927: Ra90 - 2700K (available in limited lengths)
- 930: Ra90 - 3000K
- 940: Ra90 - 4000K
- TW: Tunable white 2700K-6500K (available in limited lengths)

- 01: White Matt Texture
 - 03: Black Matt Texture
 - 18: Grey 9006 Matt Texture
 - 07: Anthracite Matt Texture
 - 25: Smoked Brown Matt Texture
 - 16: Gold
- Other colors on request (see page 333)